

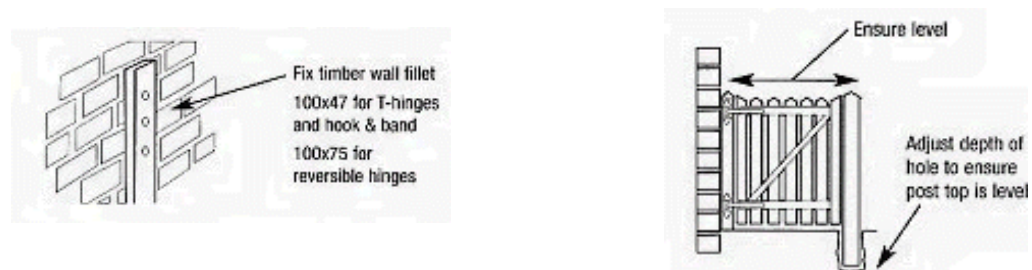
How to hang a Garden Gate or Side Gate

Fixing your gate between two timber posts



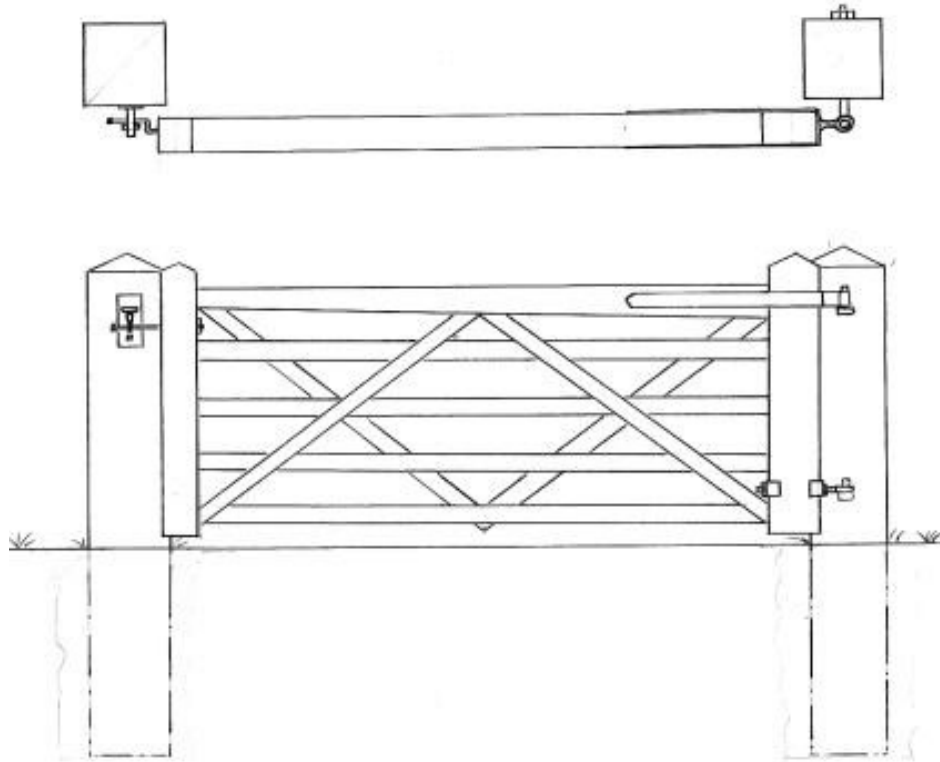
1. Set posts 600mm in the ground (ensure posts are treated for ground contact Barlows air dried are suitable). Check the gap is correct (gate width plus 20mm) before concreting in the posts. Ideally leave 24 hours before hanging your gate. If this is not possible then use a rapid set post-fix.
2. Fix the hinges to the gate. (Check you have allowed for fixing the pin to the gate-post.)
3. Offer the gate up to the post ensuring there is enough ground clearance when the gate is open as well as closed.
4. Pack the gate up to the correct hanging position, and fix the hinges to the post.
5. Fix the catch to the gate and the latch to the post.
6. Fix the shutting strip to the post so that the gate strikes the shutting strip as the catch locates. (This prevents the catch from breaking if the gate slams in the wind)

Fixing your gate to a brick wall



1. Fix the wall plate to the wall using suitable wall bolts. (Thunder-bolts are great for this)
2. Fix the hinges to the gate. (Check you have allowed for fixing the pin to the wall-plate.)
3. Offer the gate up to the post ensuring there is enough ground clearance when the gate is open as well as closed.
4. Pack the gate up to the correct hanging position, and fix the hinges to the post.
5. Did the hole for the closing post, ensuring that the post is at least 600mm in the ground, and most importantly that it is level with the wall-fillet.
6. Position the gate in a closed position and move the post so that it is level with the wall fillet and there is no more than a 10mm gap between the gate and the closing post.
7. Concrete the post in and leave for 24hrs. if this is not possible then use a rapid set post fix.
8. Fix the catch to the gate and the latch to the post.
9. Fix the shutting strip to the post so that the gate strikes the shutting strip as the catch locates. (This prevents the catch from breaking if the gate slams in the wind)

How to hang a Five bar gate or field gate



1. Dig the holes 900mm deep and make sure the posts set in the width of the gates less 50mm between the posts.
2. Offer the gate up to the post ensuring there is enough ground clearance when the gate is open as well as closed.
3. Fix the hinges to the gate (20mm drill bit for the adjustable bottom hinge 10,, drill bit for the top strap bolts)
4. Block the gate up to the posts so that the required ground clearance is achieved. Mark the under side of the hinges on the post and use this to give you the position of the hinges.
5. Use a spirit level to ensure the top pin position is directly above the bottom pin.
6. Fix pins to post but do not drive the bottom pin fully in until you have the top pin fixed in position correctly. When happy with the top pin drive the bottom pin in so that the gate is vertical.
7. Adjust the bottom eye of the gate so that the gate is perfectly level. When level secure the catch to the gate and post.